

# Optima

OE12864A4

## ◎ Feature

Item	Info.
Resolution	128*64
Power supply	3V
Interface	8080
IC	SSD1309
Duty	1/64 Duty
Option	-

## ◎ Mechanical Data (unit: mm)

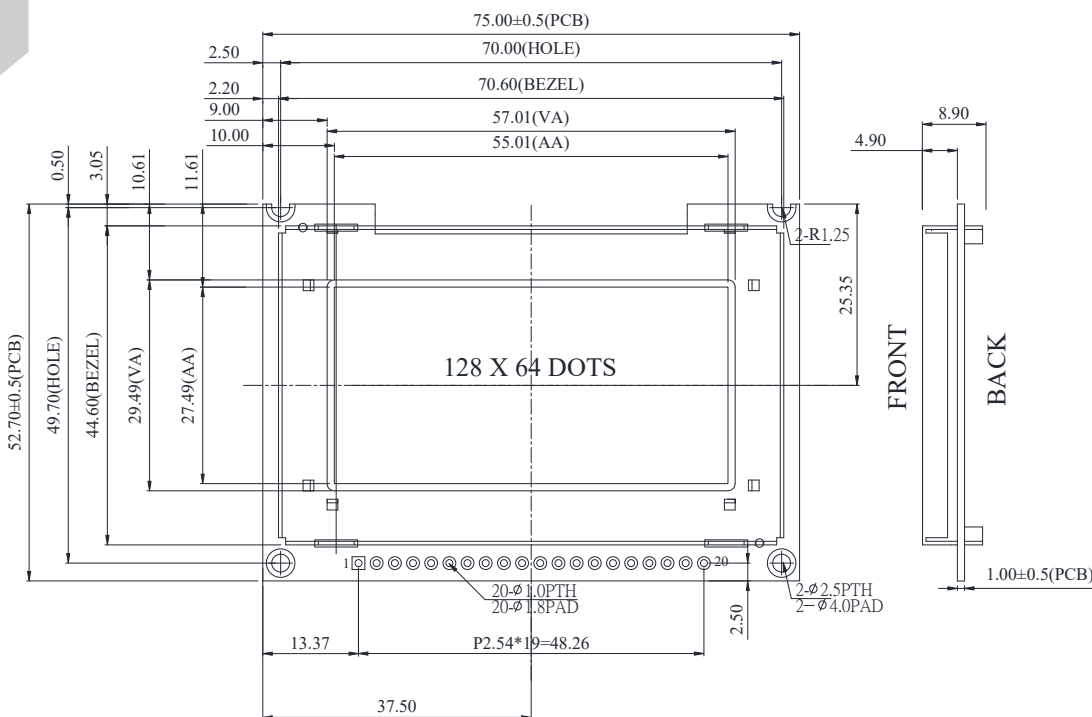
Item	Dimension
Module dimension	75.0 x 52.7
View area	57.01 x 29.49
Active area	55.01 x 27.49
Dot pitch	0.43 x 0.43

## ◎ Electrical Characteristics (unit: V)

Item	Min	Typ	Max
Power Supply for Logic (VDD)	2.7	3.0	3.5

## ◎ Temperature Range (unit: °C)

Item	Min	Typ	Max
Operating Temp.	-20		70
Storage Temp.	-30		80



PIN NO.	SYMBOL
1	VDD
2	VSS
3	V <sub>o</sub>
4	DB0
5	DB1
6	DB2
7	DB3
8	DB4
9	DB5
10	DB6
11	DB7
12	CS#
13	NC
14	RES#
15	R/W#
16	D/C#
17	E/RD#
18	NC
19	DISP
20	NC