

Optima

OG12864A

◎ Feature

Item	Info.
Resolution	128*64
Power supply	5V
Interface	6800
IC	NT7108
Duty	1/64 Duty
Option	-

◎ Mechanical Data (unit: mm)

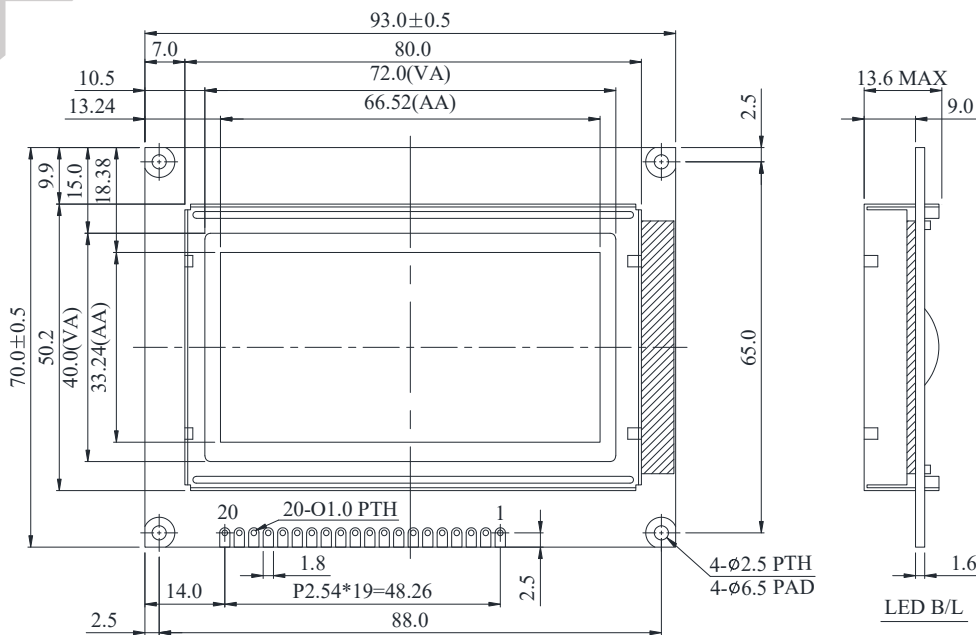
Item	Dimension
Module dimension	93.0 x 70.0
View area	72.0 x 40.0
Active area	66.52 x 33.24
Dot pitch	0.52 x 0.52

◎ Electrical Characteristics (unit: V)

Item	Min	Typ	Max
Supply Voltage (VDD)	4.5	5.0	5.5
Voltage for Backlight	-	3.0	-

◎ Temperature Range (unit: °C)

Item	Min	Typ	Max
Operating Temp.	-20		70
Storage Temp.	-30		80



PIN NO.	SYMBOL
1	Vss
2	Vdd
3	Vo
4	D/I
5	R/W
6	E
7	DB0
8	DB1
9	DB2
10	DB3
11	DB4
12	DB5
13	DB6
14	DB7
15	CS1
16	CS2
17	RES
18	Vout
19	A
20	K

LED B/L