

# Optima

## OG12864B

### ◎ Feature

Item	Info.
Resolution	128*64
Power supply	5V
Interface	6800
IC	NT7108
Duty	1/64 Duty
Option	-

### ◎ Mechanical Data (unit: mm)

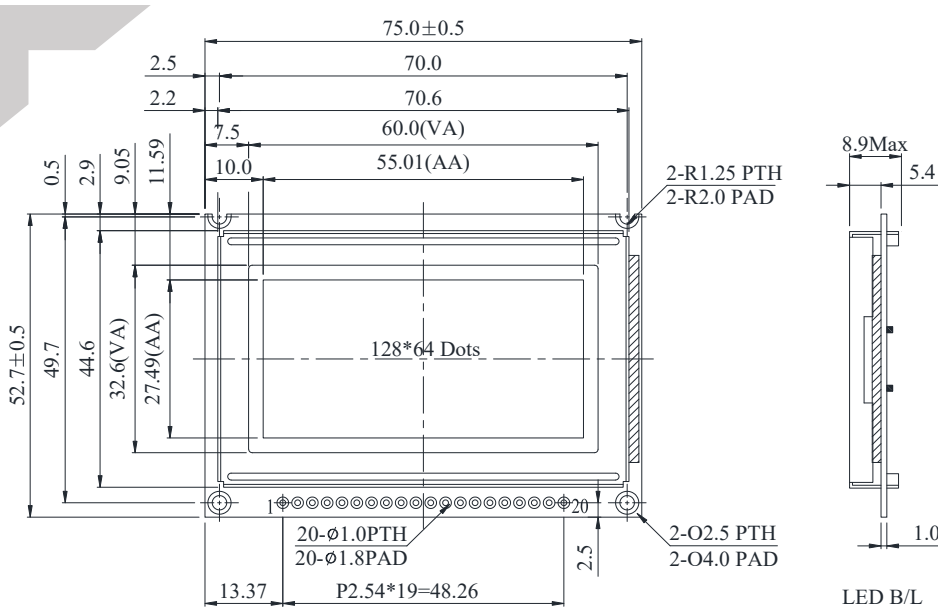
Item	Dimension
Module dimension	75.0 x 52.7
View area	60.0 x 32.6
Active area	55.01 x 27.49
Dot pitch	0.43 x 0.43

### ◎ Electrical Characteristics (unit: V)

Item	Min	Typ	Max
Supply Voltage (VDD)	4.5	5.0	5.5
Voltage for Backlight	-	3.3	-

### ◎ Temperature Range (unit: °C)

Item	Min	Typ	Max
Operating Temp.	-20		70
Storage Temp.	-30		80



PIN NO.	SYMBOL
1	Vdd
2	Vss
3	Vo
4	DB0
5	DB1
6	DB2
7	DB3
8	DB4
9	DB5
10	DB6
11	DB7
12	CS1
13	CS2
14	RST
15	R/W
16	D/I
17	E
18	Vee
19	A
20	K