

Optima

OG12864R

◎ Feature

Item	Info.
Resolution	128*64
Power supply	5V
Interface	6800
IC	RA8822
Duty	1/64 Duty
Option	-

◎ Mechanical Data (unit: mm)

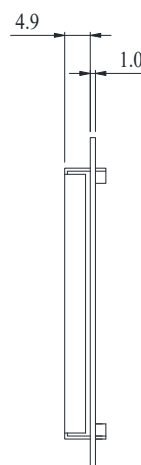
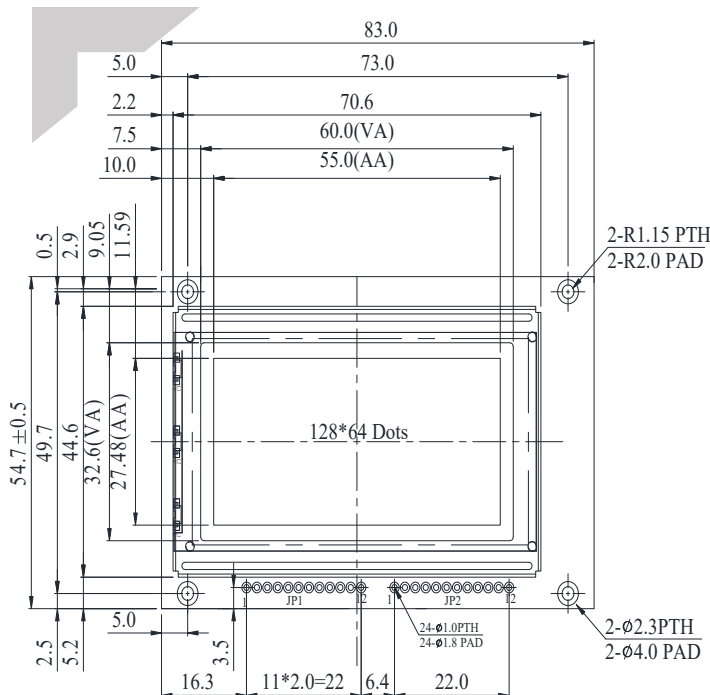
Item	Dimension
Module dimension	83.0 x 54.7
View area	60.0 x 32.6
Active area	55.0 x 27.48
Dot pitch	0.43 x 0.43

◎ Electrical Characteristics (unit: V)

Item	Min	Typ	Max
Supply Voltage (VDD)	4.5	5.0	5.5
Voltage for Backlight	-	3.0	-

◎ Temperature Range (unit: °C)

Item	Min	Typ	Max
Operating Temp.	-20		70
Storage Temp.	-30		80



JP2

PIN NO.	SYMBOL
1	DB6
2	DB7
3	NC
4	NC
5	RST
6	Vout
7	A
8	K
9	SL0
10	KBIN4
11	KBIN5
12	KBIN6

JP1

PIN NO.	SYMBOL
1	Vdd
2	Vss
3	Vo
4	RS
5	R/W
6	E
7	DB0
8	DB1
9	DB2
10	DB3
11	DB4
12	DB5