

# Optima

## OG240128B

### ◎ Feature

| Item         | Info.      |
|--------------|------------|
| Resolution   | 240*128    |
| Power supply | 5V         |
| Interface    | 8080       |
| IC           | RA6963     |
| Duty         | 1/128 Duty |
| Option       | -          |

### ◎ Mechanical Data (unit: mm)

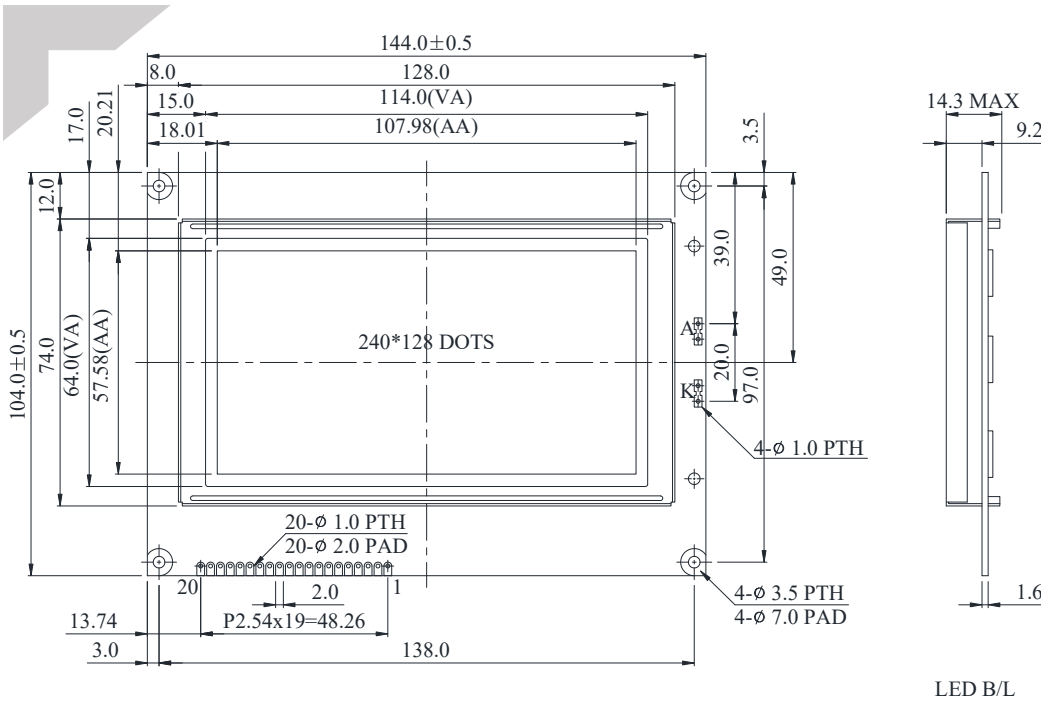
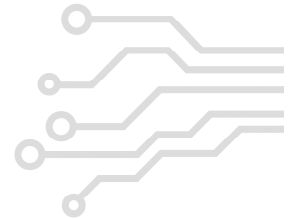
| Item             | Dimension      |
|------------------|----------------|
| Module dimension | 144.0 x 104.0  |
| View area        | 114.0 x 64.0   |
| Active area      | 107.98 x 57.58 |
| Dot pitch        | 0.45 x 0.45    |

### ◎ Electrical Characteristics (unit: V)

| Item                  | Min | Typ | Max |
|-----------------------|-----|-----|-----|
| Supply Voltage (VDD)  | 4.5 | 5.0 | 5.5 |
| Voltage for Backlight | -   | 3.3 | -   |

### ◎ Temperature Range (unit: °C)

| Item            | Min | Typ | Max |
|-----------------|-----|-----|-----|
| Operating Temp. | -20 |     | 70  |
| Storage Temp.   | -30 |     | 80  |



| PIN NO. | SYMBOL |
|---------|--------|
| 1       | Vss    |
| 2       | Vdd    |
| 3       | Vo     |
| 4       | C/D    |
| 5       | RD     |
| 6       | WR     |
| 7       | DB0    |
| 8       | DB1    |
| 9       | DB2    |
| 10      | DB3    |
| 11      | DB4    |
| 12      | DB5    |
| 13      | DB6    |
| 14      | DB7    |
| 15      | CE     |
| 16      | RESET  |
| 17      | Vee    |
| 18      | MD2    |
| 19      | FS1    |
| 20      | NC     |